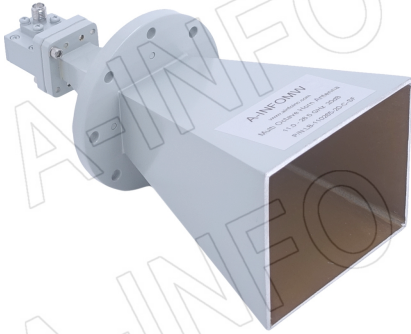


For reference only. See data sheet for the detailed specifications.

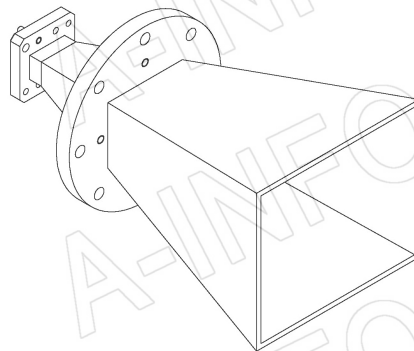
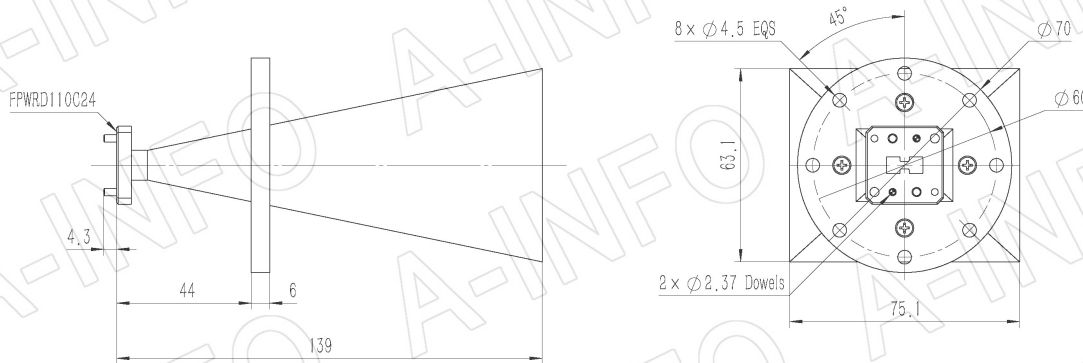
Technical Specification



Frequency Range(GHz)	11.0 – 26.5
Gain(dB)	20 Typ.
Polarization	Linear
3dB Beamwidth(deg)	E Plane: 23 - 9
	H Plane: 26 - 10
Cross Pol. Isolation(dB)	40 Typ.
VSWR	1.50:1 Typ.
Output	A Type: FPWRD110C24
	C Type: SMA-Female
Power Handling(W CW)	50 Max.
Material	Al
Finish	Gold Plated and Chemical Conversion Coating, Gray Paint
Size(mm)	A Type: 75.1 x 70 x 139
	C Type: 75.1 x 70 x 163
Net Weight(Kg)	A Type: 0.17 Around
	C Type: 0.24 Around

Outline Drawing (Size: mm)

FPWRD110C24 Output (P/N: LB-110265-20-A)



AINFO Inc.

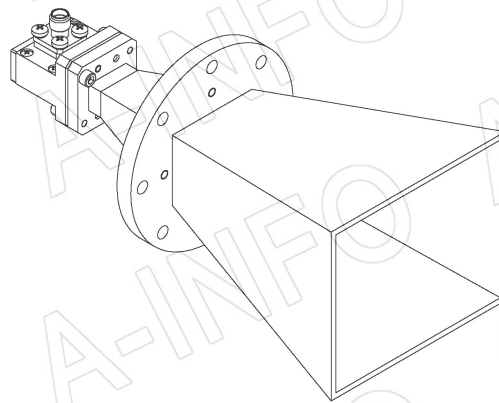
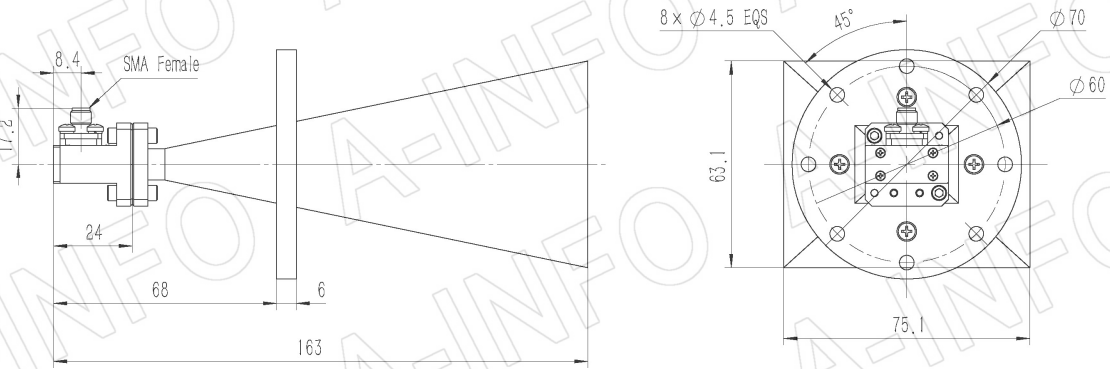
China(Beijing): Tel: (+86) 10-6266-7326,
 China(Chengdu): Tel: (+86) 28-8519-2786,
 USA: Tel: (+1) 949-639-9688,

Page 1 of 11

(+86) 10-6266-7327 Fax: (+86) 10-6266-7379
 (+86) 28-8519-3044 Fax: (+86) 28-8519-3068
 (+1) 949-639-9608 Fax: (+1) 949-639-9670

Website: www.ainfoinc.com
 Email: sales@ainfoinc.com

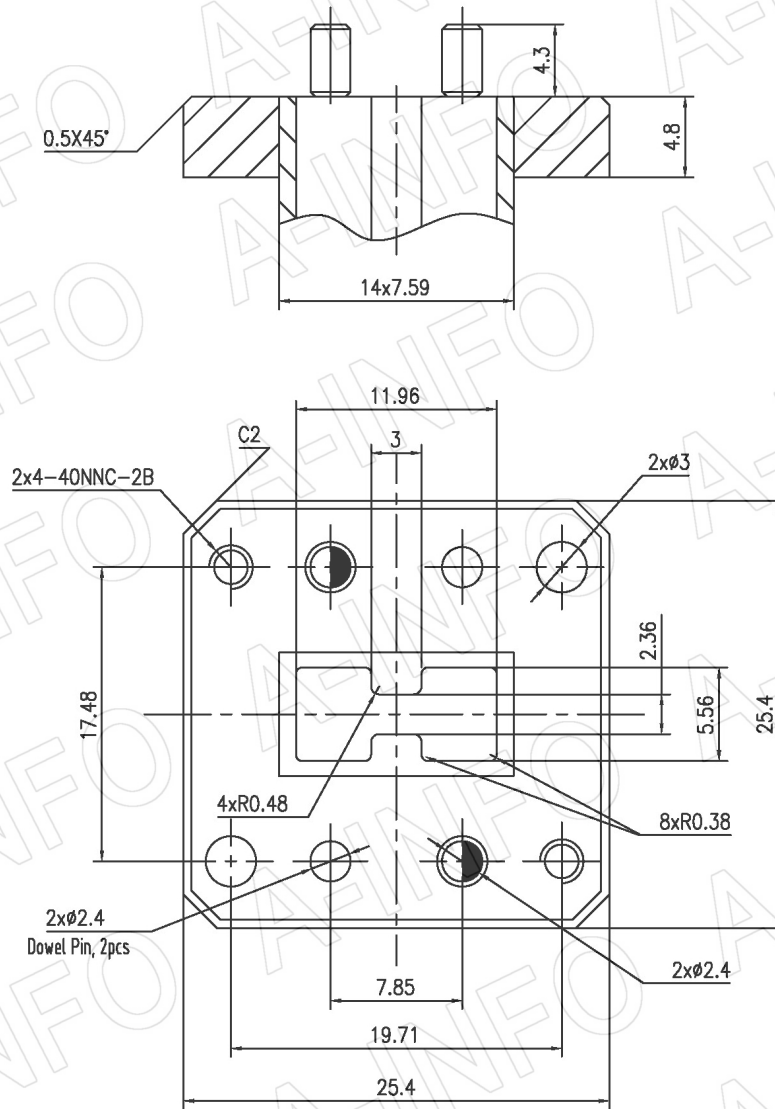
SMA-Female Output (P/N: LB-110265-20-C-SF)



Flange Drawing (Size: mm)

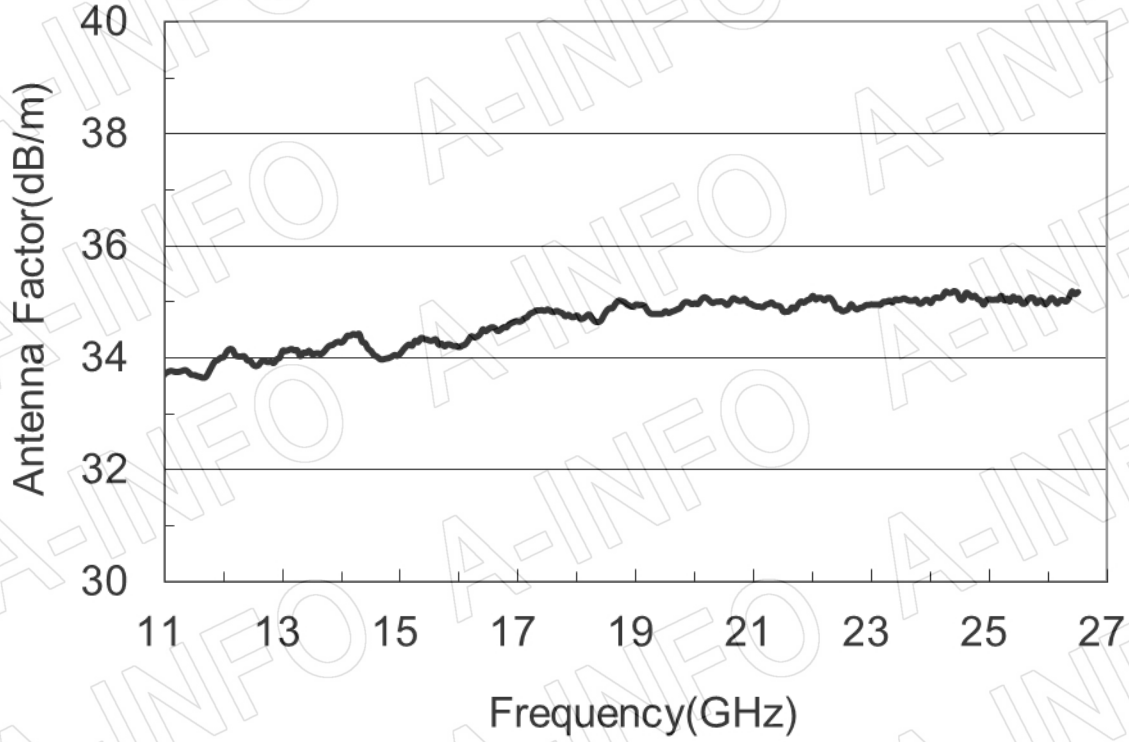
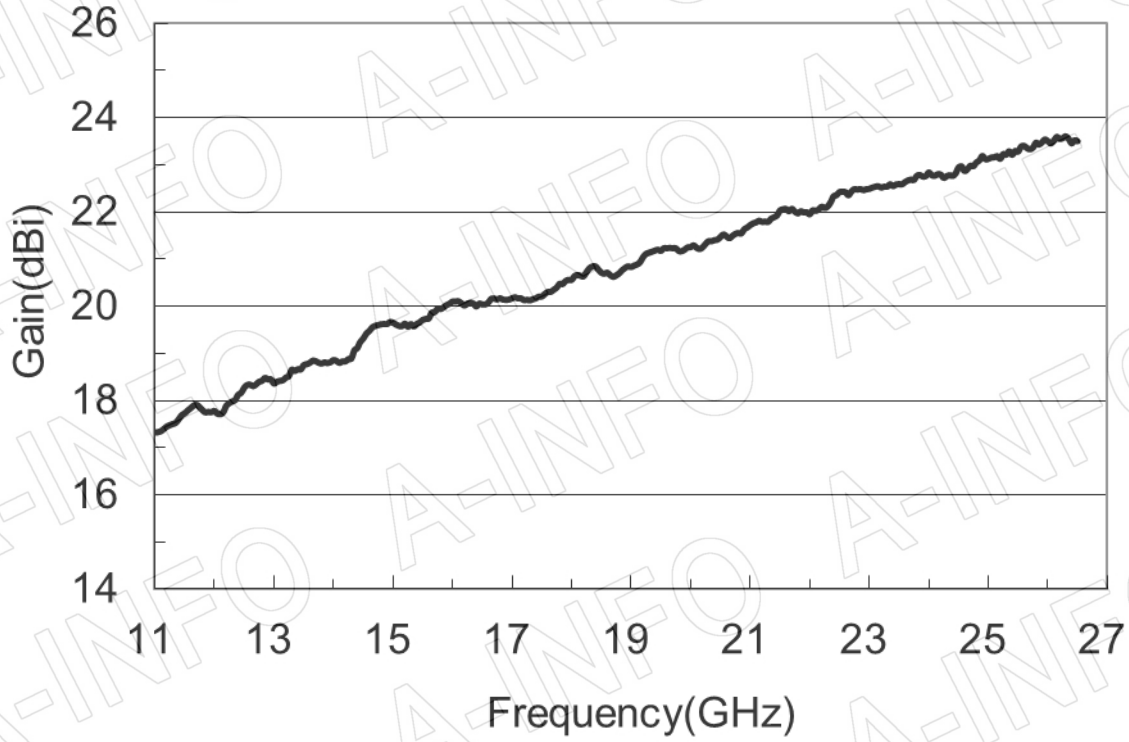
FPWRD110C24

(With two through mounting holes
and two screws holes)

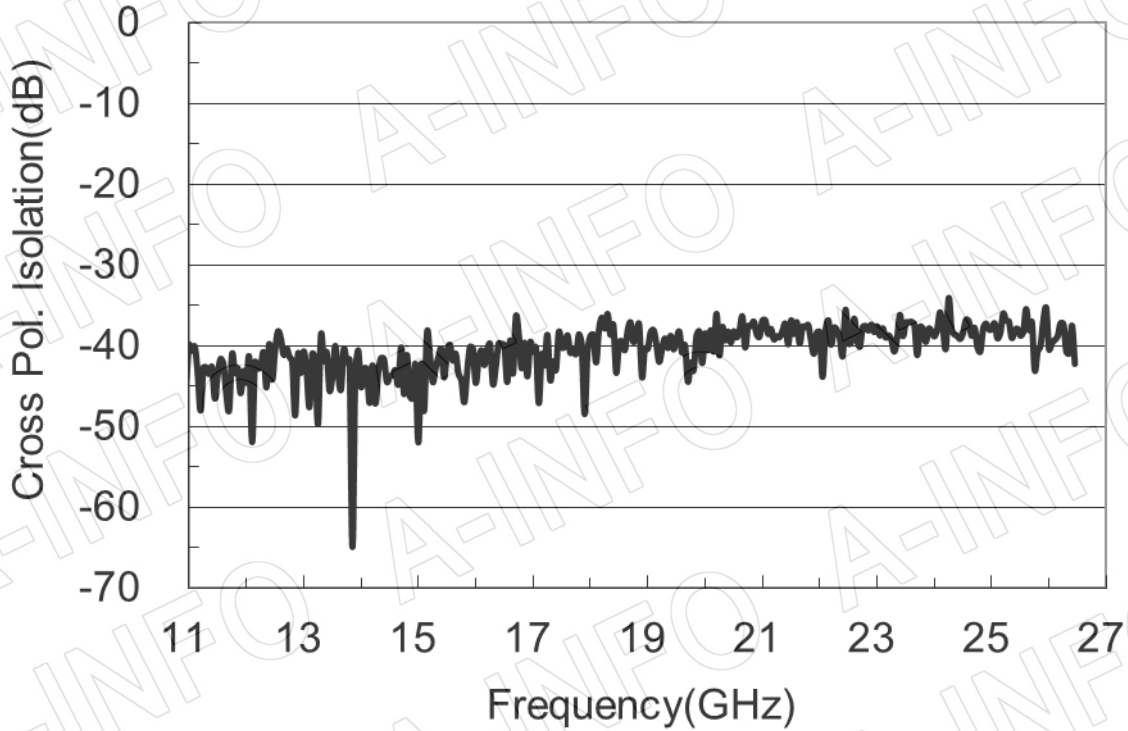


Test Results

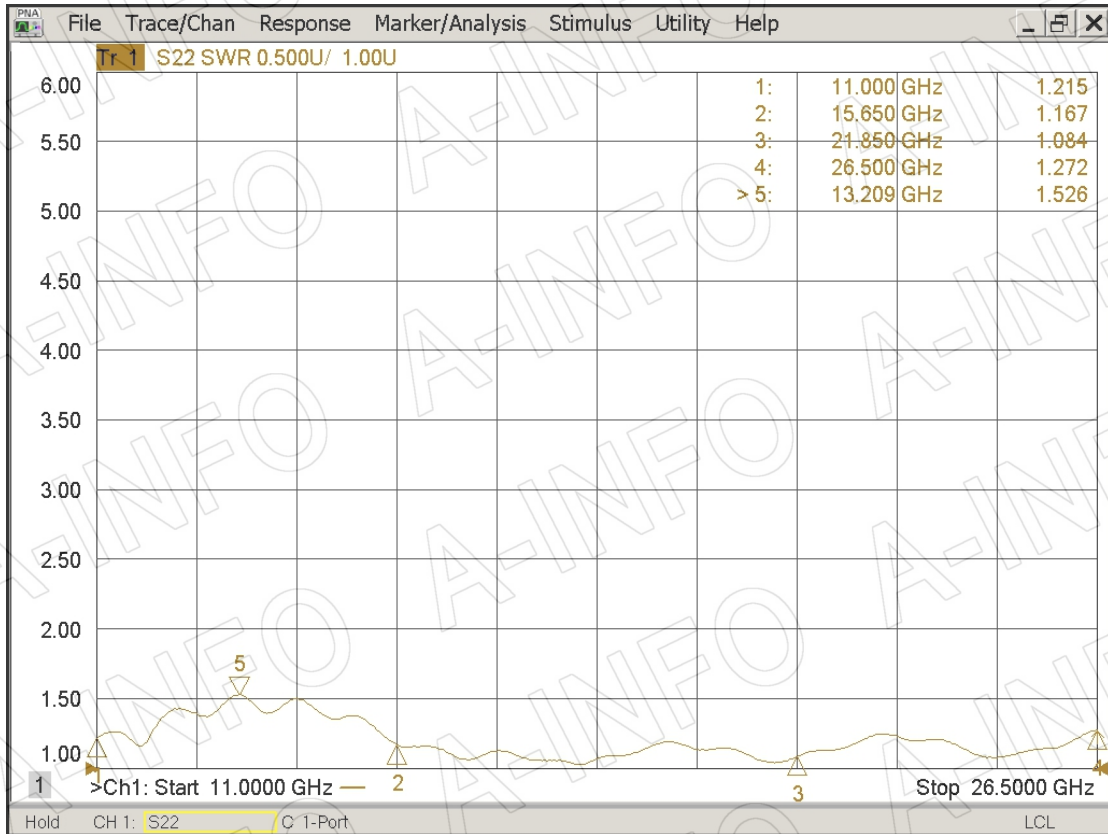
1. Gain & Antenna Factor



2. Cross Polarization Isolation



3. VSWR



4. Pattern

